



Side Mounting Instructions

PREPARATION

DANGER: Electrical shock or burn hazard. Installation of TVSS should be made by qualified personnel. Failure to lockout electrical power during installation or maintenance can result in fatal electrocution or severe burns.

These installation instructions apply for the installation of the PQ Protection range of Surge Protectors onto the side of a Load Center using the PQSM Side Mounting Brackets. These instructions are to be used in conjunction with the installation instructions for the PQ Protection product.

It is recommended that this installation use a 90° pulling elbow. As dimensions of various manufacturers pulling elbows vary, check fit before installing.

NOTE:

Separate Side Mounting Kits are available for the PQ Protection range of products. Please ensure that this kit is the correct model for the application intended.

Each kit Contains:

- a) 2 x Mounting Brackets
- b) Instructions

Quick Installation

1. Disconnect and lockout electrical power to the electrical panel (load center / panelboard / circuit breaker box) where the PQ SPD is to be installed. Follow all applicable electrical codes and procedures.
2. Loosen side screws in both PQ end plates as shown in Figure 1. Screws should be loosened on the side to be fixed to load center only. Install PQ Side Mounting Brackets and retighten PQ screws. There is no need to remove the screws
3. Attach 90° Pulling Elbow (not included in this kit) to the PQ unit.
4. Ensure panel is isolated and pre-drill holes for conduit elbow and mounting screws. Align PQ Protection unit and fasten to Load Center with appropriate fasteners.
5. Complete electrical TVSS connection as per TVSS instructions.

LOOSEN SCREWS ON THE SIDE OF THE PQ UNIT AND ATTACH SIDE MOUNTING BRACKETS TOP AND BOTTOM

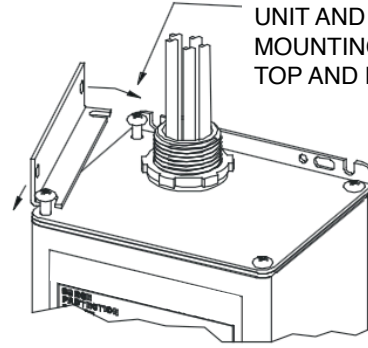


FIGURE 1

ATTACH 90° PULLING ELBOW

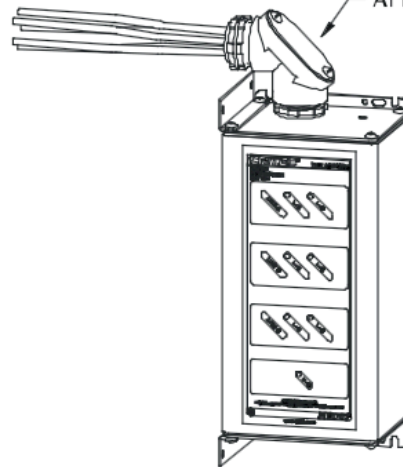


FIGURE 2

LOAD CENTER

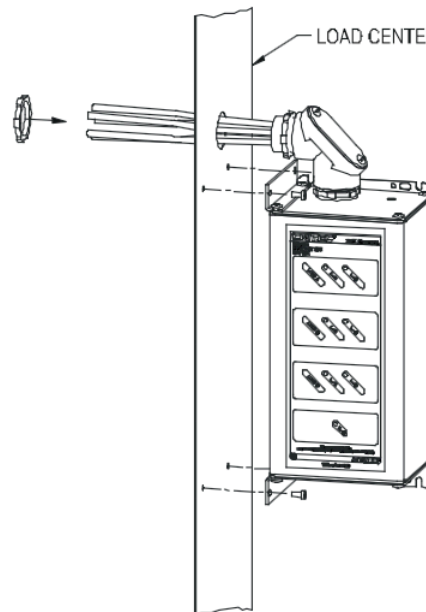


FIGURE 3