

PQ PROTECTION SURGE PROTECTION DEVICES

PQC320 PLUS SERIES



Example shown: PQC320-120/240V-SP

PRODUCT SPECIFICATIONS

Safety Testing/Listings & Standards	UL 1449 5th edition, NEC Article 285 & NEC 2020 Article 242 ANS/IEEE C62.41.1-2002, C62.41.2-2002 & C62.45-2002
Location Ratings	UL 1449 Type 1 (line side) and Type 2 (load side) and IEEE Category C3 and B3
Surge Current Rating	320kA per phase/160kA per mode @ 8/20µs
UL Nominal Discharge Current Rating (In)	20kA (highest UL rating available)
UL Short Circuit Current Rating (SCCR)	200kA (highest UL rating available)
Repetitive Surge Current Rating	UL 1449 5th edition duty cycle life/repetitive impulse tested, and 3rd party independent testing
LPS Master Labeling	Complies with UL 96A requirements
Protection Modes	L-G, L-N, N-G & L-L
Product Technology/Design	UL tested thermal disconnecting bidirectional MOV design
Indicator LED's	Per phase & overall status Dual Color LED, flashing red for protection or ground reference fault
Field Legible Labeling	Reversible label for variable installation methods
Audible Alarm	Indicating a loss of protection, phase and/or Ground reference fault
Connection Method	Pre-wired, 36", 10AWG conductors supplied for parallel connection, 30 Amp Breaker recommended
Advanced Monitoring Contacts	Supplied with Form C Contacts, 1-N/O & 1-N/C, 240V, 2A pre-wired #22AWG conductors for remote monitoring
Response Time	< .5 nanoseconds
Dimensions/Weight	6.9"H x 6.9"W x 3"D
Operating Frequency	0-700Hz
Operating Environment	0-95% non-condensing humidity/-40°C to +85°C
Installation Location	Indoor or Outdoor
Enclosure Type/Rating	Polycarbonate NEMA 4X, UL 50E Type 4
Mounting Method	3/4" nipple mounted
UL File	VZCA.E335441
Warranty	Ten (10) Year, Limited Replacement Warranty

The **PQC PLUS SERIES** is a high-performance, compact transient voltage surge protection device (SPD) protecting your equipment from damaging power surges coming from lightning, utility power generation/distribution systems as well as inductive load switching equipment within your own facility. Additionally incorporating ground reference (N-G rise >20V) and phase loss monitoring.

UL 1449 5th Edition listed for Type 1 or Type 2 (line or load side) installation, incorporating thermal disconnects and a 200kAIC (SCCR) rating. Installation with or without a breaker is acceptable, however connection to a 30 Amp breaker does ease powering down for SPD replacement. Equipped with pre-wired remote monitoring contacts for a no hassle connection to your BAS/BMS.

Indicating operational status via an audible alarm, LEDs per phase, and an overall status dual-color LED, flashing red for any fault condition, loss of phase or ground reference fault (N-G rising above 20V).

Fully automatic in operation, fully resetting itself after activating itself to protect the downstream equipment. No operator intervention is required, and the SPD is 100% maintenance free.

Refer to Owner's Operation and Installation Manual for additional diagnostic information.



PQ PROTECTION SURGE PROTECTION DEVICES

PQC320 PLUS SERIES



ENGINEERS SPECIFICATION

Provide and install, at location(s) indicated, a UL 1449 5th Edition, 20kA In, Type 1/Type 2, 200kA SCCR listed surge protection device (SPD), **Model PQ Protection PQC320**. Minimum surge withstand rating of 320kA per phase/160kA per mode. SPD shall incorporate status indicator LED's per phase, a dual color overall status LED flashing red with any protection fault, phase loss or N-G reference loss above 20V. NEMA 4X, UL Type 4/50E enclosure rating.

PQC Plus Series	UL 1449 Performance Data	L-N	L-G	N-G	L-L	MCOV
Models	System Voltage					
PQC320-120V-1P	120V-1 Phase	700	800	600	-	180
PQC320-240V-1P	240V-1 Phase	1200	1200	1000	-	350
PQC320-120/240V-SP	120/240V Split Phase	700	800	600	1200	180/360
PQC320-120/240V-HLD	120/240 3 Phase, High-leg Delta	800/1000	800/900	700	1200/1500	180
PQC320-120/208V-3Y	120/208V 3 Phase, Wye	600	700	600	1200	150/300
PQC320-277/480V-3Y	277/480V 3 Phase, Wye	1200	1200	1000	2000	350
PQC320-240V-3D	240V 3 Phase, Delta	-	900	-	1800	275
PQC320-480V-3D	480V 3 Phase, Delta	-	1800	-	3000	550
PQC320-FP	Flush Mounting Option					

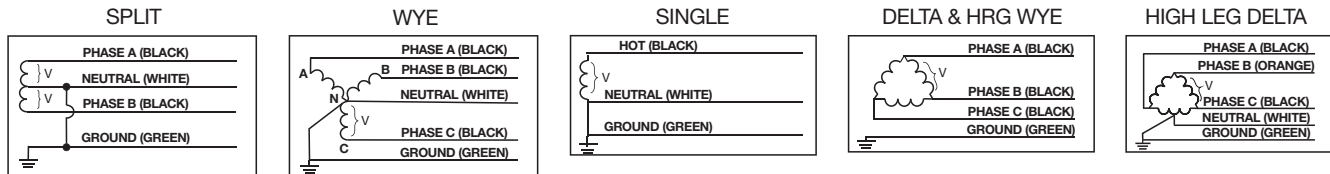
WHY DO YOU NEED SURGE PROTECTION?

CAUSE: The statistical nature of lightning and the broad spectrum of energy delivered via a lightning flash, the problems created by various generation/distribution systems or the inductive switching loads within one's own facility may result in damaging voltages and surge currents. These events are a threat to all sensitive critical equipment loads.

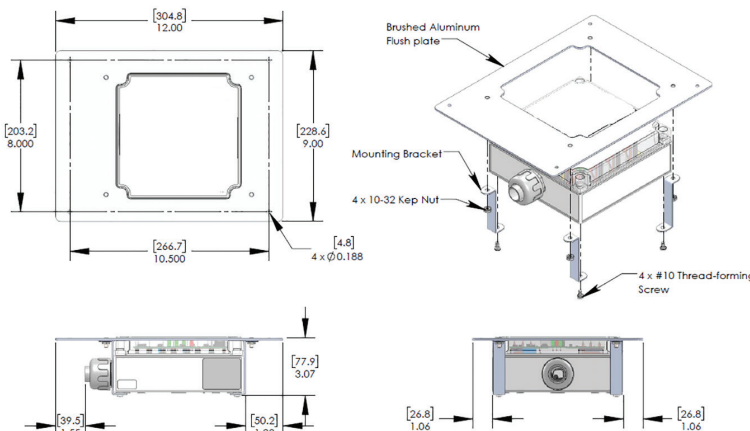
EFFECT: With the global technology advancements that are essential in all state-of-the-art equipment, processes and operations, the critical equipment sensitivity to power fluctuations has dramatically increased creating the undeniable need to protect against power surges.

SOLUTION: The PQC PLUS Series is a high-performance surge protection device, designed to protect connected equipment and devices by preventing excess electrical current and voltages from reaching them by diverting that excess current away from the active line and directing it to ground.

VOLTAGE CONFIGURATIONS/WIRING DIAGRAMS



FLUSH MOUNTING KIT DETAILS



PRE-WIRED ADVANCED MONITORING STATUS CONTACTS

Ready for quick connection to your BAS/BMS system

