

FLUSH COVER PLATE

MOUNTING INSTRUCTIONS

PREPARATION

DANGER: Electrical shock or burn hazard.

Installation of Surge Protection Devices, SPD's, should be completed by qualified personnel. Failure to lockout electrical power during installation or maintenance can result in fatal electrocution or severe burns.

These installation instructions apply specifically for the *FLUSH MOUNT* installation of the PQ Protection range of Surge Protectors.

These instructions are to be used in conjunction with the installation instructions for the PQ SPD.

To simplify installation it is recommended to use a short (less than 6") flexible conduit to connect the SPD nipple to the electrical panel. The SPD is then, mechanically fixed by connecting the SPD to the Flush Cover Plate, which in turn is fixed to the drywall.

Alternatively the SPD can be mechanically fixed via its flanges and/or nipple. However, care is required to ensure the SPD is positioned so the front is flush with the outer drywall.

INCLUDED IN THIS KIT:

- a. 1 x Flush Cover Plate (CFP)
- b. 2 x Mounting Brackets
- c. 4 x FCP Mounting Screws
- d. Instructions

QUICK INSTALLATION:

1. Disconnect and lockout electrical power to the electrical panel (load center/ panel board/ circuit breaker box) where the SPD is to be installed. Follow all applicable electrical codes and procedures.
2. Loosen front screws in PQ end plates as shown in FIGURE 1. Apply CFP Mounting Brackets and retighten PQ screws.
3. Attach flexible conduit (not included in CFP kit) to the PQ unit.
4. Mark and cut out section of drywall allowing approximately 1/2" clearing around the PQ Enclosure and attached Flush Cover Plate Mounting Brackets.
5. Align CFP with drywall opening, mark locations of drywall anchors (not included) and install anchors per manufacturers instructions.
6. Insert PQ SPD into drywall cutout and connect flexible conduit to electrical panel (FIGURE 2).
7. Attach the Flush Cover Plate to the PQ unit using the 4 Mounting Screws provided (FIGURE 3).
8. Secure the Flush Cover Plate to the drywall using the drywall anchors.
9. Complete electrical SPD connection as per SPD instructions.

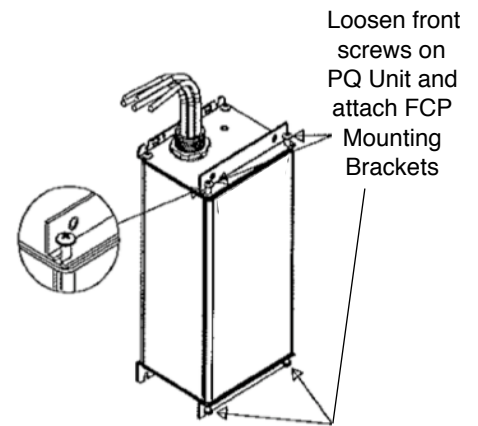


FIGURE 1

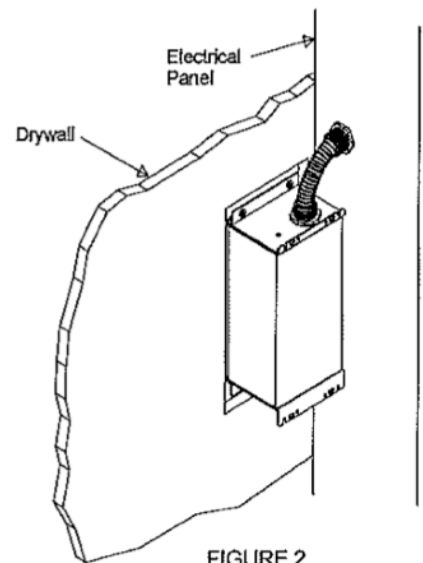


FIGURE 2

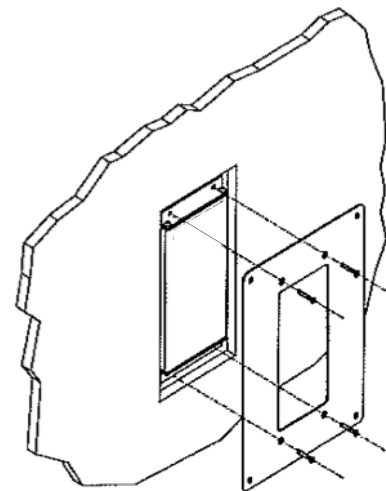
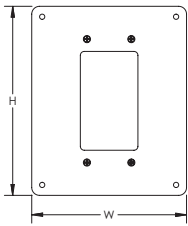


FIGURE 3



PQ Protection Flush Plate



Flush plate kit for mounting behind drywall

Part Number	Product	Height H	Width W	Depth D	Unit Weight
Material: Metal					
PQCFP	Compact PQC50 & PQC100	9.1"	7.4"	0.47"	1.50 lb
Material: Steel					
PQM100FP	PQM100	13.4"	7.4"	0.47"	1.45 lb
PQM200FP	PQM200	12.4"	9.2"	0.47"	1.75 lb
Material: Thermoplastic					
PQCFP	PQC200	13.9"	7.4"	0.47"	0.63 lb

WARNING

PQ PROTECTION products shall be installed and used only as indicated in product instruction sheets and training materials. Instruction sheets are available at pqprotection.com and from your PQ Protection customer service representative. Improper installation, misuse, misapplication or other failure to completely follow PQ Protection's instructions and warnings may cause product malfunction, property damage, serious bodily injury and death and/or void your warranty.